

## **Hammer Camera Cranes**

**440 E. Easy St. #3  
Simi Valley, Ca 93065  
805-526-2626**

### **Specifications**

Head weight – 55lbs (25Kg)

Head mount: Standard Mitchell

Payload: 150lbs (68Kg)

Power: 24-34 VDC or 120/240 VAC

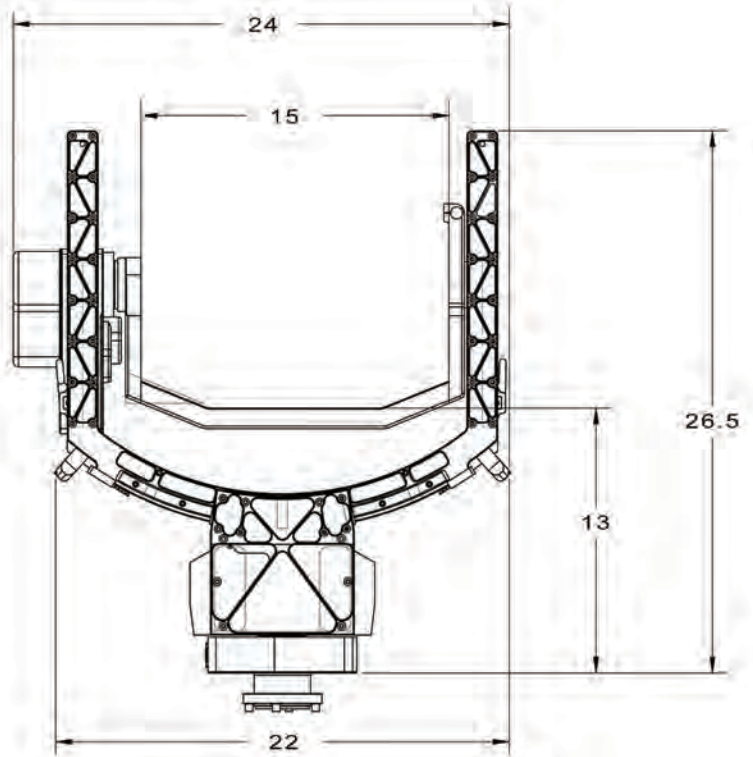
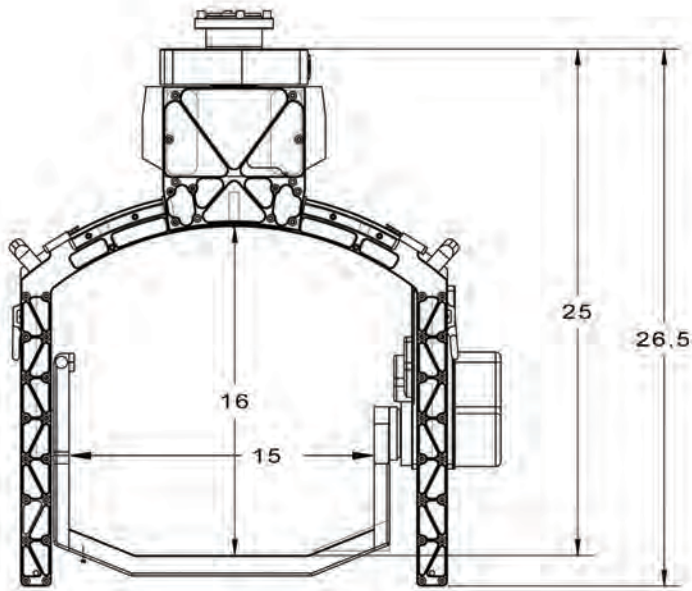
Communication: BNC cable or Wireless

### **360° ROLL RING**

The ALPHA add on roll ring can be installed into the head in minutes. It simply replaces the existing tilt plate and plugs directly into the ALPHA head. It can be controlled by a stand alone third wheel or zoom style hand control. Low profile camera plates included for a variety of camera packages.

- 12 lbs.
- Inside clearance: 10.75" H X 7.87" W
- Multiple 15mm Iris Rod Mounts for AKS

Hammer Camera Cranes  
440 E. Easy St. #3  
Simi Valley, Ca. 93065  
805-526-2626



### ALPHA REMOTE HEAD

