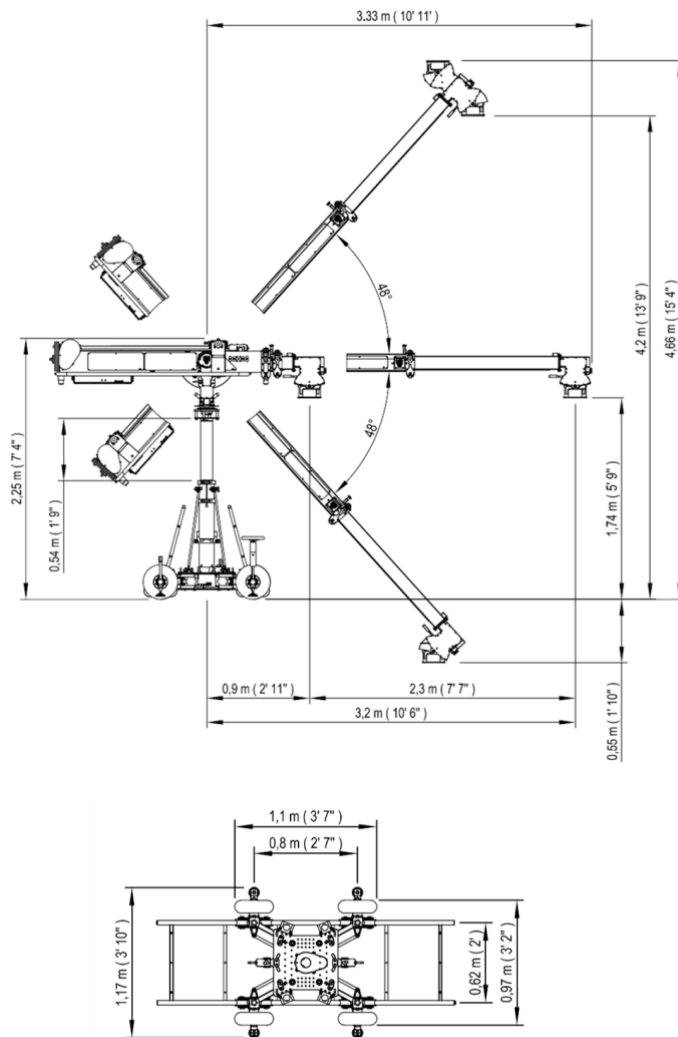
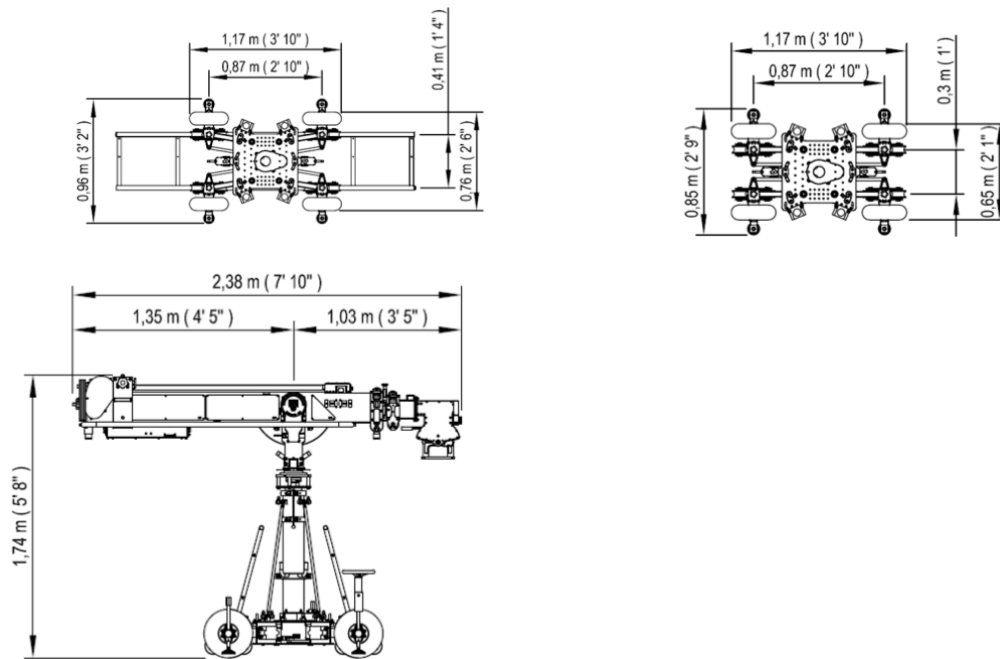


SCORPIO 10

Technical specifications:

Maximum length:	3,2 m (10' 6")
Minimum length:	0,9 m (2' 11")
Back length of the arm:	1,35 m (4' 5")
Telescopic range:	2,30 m (7' 7")
Loading capacity in under-slung:	70 kg / 154 lb
Loading capacity in over-slung :	45 kg / 99 lb
Required Power:	DC 30 V / 20 A
Output Power for the monitor:	12 V / 3 A

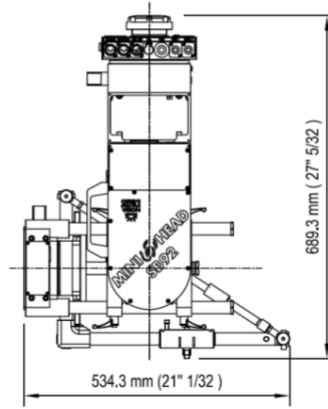
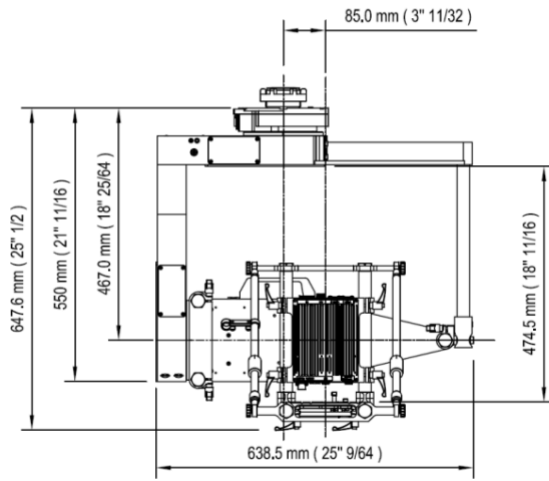
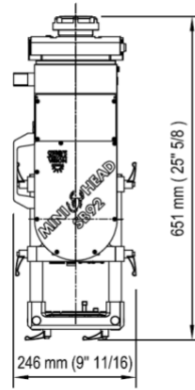
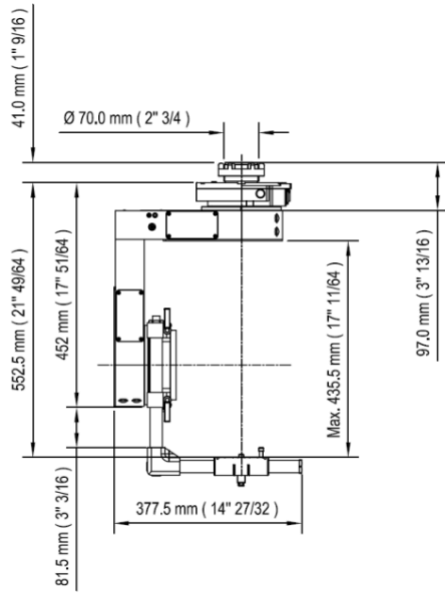




MINI HEAD

Technical specifications:

- Weight in 2 axis 18 kg, in 3 axis 25 kg
- Max. load: 45 kg in 2 axis, 20 kg in 3 axis
- All axis PAN, TILT and ROLL in 3 axis 360 degrees continuous
- Power from battery or power supply 24 V to 35 V
- 2 video signals
- 1 TRIAX signal
- 10 auxiliary channels 2A
- 1 connection for *Scorpio Focus* or others lens control systems
- 2 out 12 V / 12,5 A for normal or high speed cameras
- 1 out 26,7 V / 12,5 A for normal or high speed cameras
- Max. speed in all axis 2,5 s for 360 degrees
- HD signal through the slip rings in all axes



STABILIZED HEAD

Technical specifications:

- Speed: 120°/Second all axis
- Rotation: PAN and TILT 360°
- ROLL +/- 30°
- Back PAN: Automatic
- Head weight: 33 kg / 72 lb
- Max. camera weight: 45 kg / 100 lb
- Power requirements: 30 V DC
- Standby current: 800 mA
- Maximum current: 8 A
- Maximum usable lens focal: 300 mm
- SET-UP time: The same as a standard Scorpio Head
- The *Scorpio Stabilized Head* can be controlled two ways:
 - By cable up to 500 m (1500 ft)
 - By microwave *Scorpio Radio System*

